






# Billo


*Designed by Roger Webb Associates*


With bags of personality, Billo can match the vibe of a start-up, or create a collaborative space in a more traditional setting. Contrasting twinned stitching adds a crisp detail which can be enhanced by two-tone fabric options.

 4 weeks  
subject to fabric  
availability

 5 year warranty

 22kg  
BILLO1/B  
other weights on  
application

 Min 95%  
Excluding upholstery

 Upholstery available in  
fabric leather and vinyl

## Features

Sofa and armchair

Powder coated and wooden leg options

Premium quality foam and coiled sprung seat


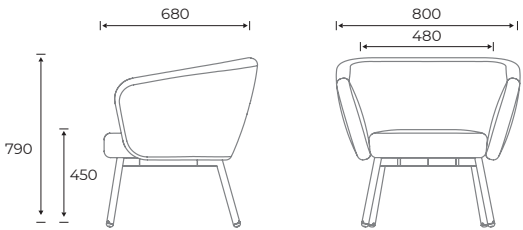

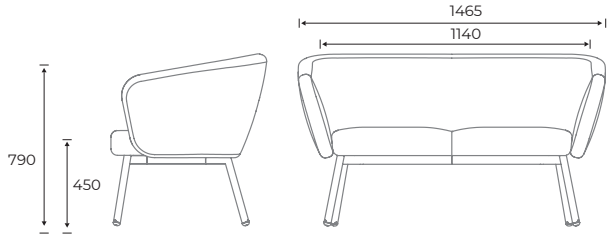
Two-tone fabric options

Twinned stitching detail

**ocee**  
DESIGN

  
AN OCEE  
INTERNATIONAL  
COMPANY

# Billo

		Dimensions (mm)	Leg Options
 <p><b>BILLO1</b> Armchair (shown with black powder coated frame and legs)</p>		<p><b>B</b> Black <b>W</b> White <b>C</b> Chrome <b>O</b> Oak <b>OB</b> Black Oak</p>	
 <p><b>BILLO2</b> Two seater sofa (shown with black powder coated frame and legs)</p>		<p><b>B</b> Black <b>W</b> White <b>C</b> Chrome <b>O</b> Oak <b>OB</b> Black Oak</p>	

## Billo Frame Finishes



**B** Black powder coated

**W** White powder coated

**C** Chrome

**O** Oak

## Monochrome Frame options

Monochrome frame colour options available on a 6 week lead time.



Available in Anthracite, Aqua, Jungle Green, Olive Green, Oriental Red, Beach and Orange. Price on application.