

FourReal® A

Design: Studio Ocee



FourReal® A is a clever, space saving solution as it offers as a multi-purpose furniture for spaces in all scales. The FourReal® A is suitable for break out areas and dining facilities and different occasions. By simply adding lighting or biophilia you get an enclosing and comfortable spot for dining, collaborating or solo work.

Table tops: Decor / High pressure laminate /
Fenix-Nano laminate / Linoleum

Frame: Slanted legs

Frame surface: Mat white (RAL9010) / Mat black (RAL 9005) /
Mat Grey (RAL7039)

Accessories: Chair suspension, flower boxes,
top plate

Table and frame supplied separately!

Tests

All products from Four Design are PVC-free.

Warranty

Four Design provides an extended warranty of 5 years on all products in our official price list.

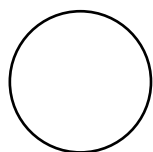
The warranty covers breakage of frames and damage occurred because of deficient

craftsmanship performance under normal use. The warranty shall lapse if the product shows signs of mishandling abuse or other physical damage. The warranty does not cover those parts of the product which are exposed to abrasion during use.



FourReal[®] A

Design: Studio Ocee



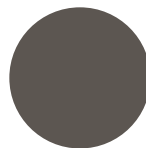
DECOR



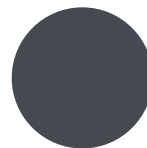
DECOR



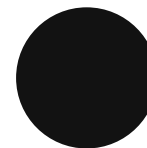
DECOR



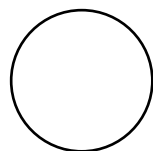
FENIX
NANO-LAMINATE



FENIX
NANO-LAMINATE



FENIX
NANO-LAMINATE



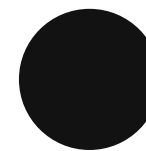
LAMINATE



LAMINATE



LAMINATE



LINOLEUM

Materials

Table top

Chip board with Decor laminate and ABS-edge. Thickness: 19 mm.

Chip board with high-pressure laminate or Fenix-Nano laminate and ABS edge. Thickness 19 mm.

MDF board with linoleum and linoleum edges. Thickness 22 mm.

Dimensions

FourReal A 90
FourReal A 105

Dimensions are valid for chairs with polyshell w/o upholstery. other physical damage. The warranty does not cover those parts of the product which are exposed to abrasion during use.

Frame

Legs: $\phi 32 \times 2.5$ mm., S235 steel, EN 10305-3 F300C

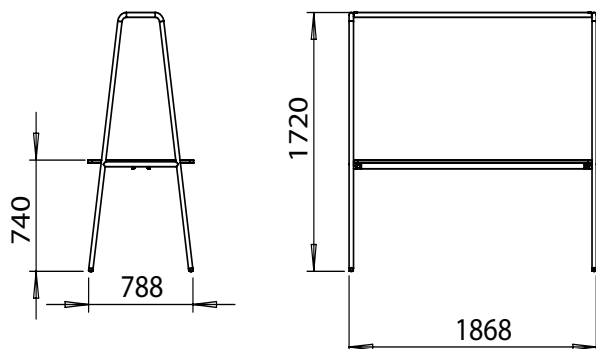
Rail: Aluminium EN AW-6063 T.

2 integrated castors PUR/PA6

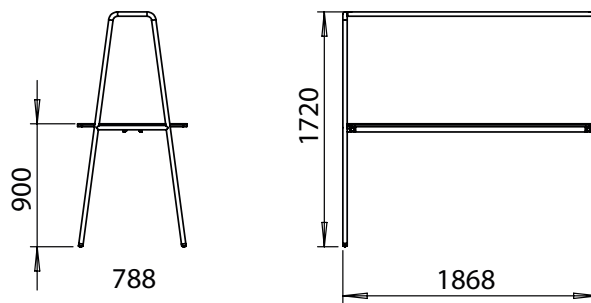


FourReal[®] A

Design: Studio Ocee



FourReal® A 74



FourReal® A 90

ISO14001

We are aware of our environmental responsibilities. We strive towards a minimal burden in the internal and external environment. The internal environment is evaluated through a careful examination of components and materials used in the production manufacturing processes. The external environment is monitored through laws and regulations.

It is important to Four Design that our suppliers abide to the environmental laws regarding production and handling of waste materials. It is our goal to always use environmentally friendly raw materials.

Four Design A/S can document our commitment to the environment.

We have been awarded the Miljøforum Fyn's Environment Diploma and obtained the ISO14001 certificate in 2011.

Recycling

General: Tables must be separated into parts (table tops and metal parts).

Metal parts: All metal parts on Four Design tables can be disposed of and recycled by an approved environment and raw materials organization. Lacquered frames are treated with a paint classified as not dangerous according to directive 1999/45/EF.

Table tops on Four Design tables cannot be reused, and must be disposed of in the incinerator.

Maintenance

We kindly refer to our Maintenance Guide:
http://www.fourdesign.dk/pdf/FourDesign_Cleaning.pdf

