

# Four<sup>®</sup> Me 88

*Design: Strand & Hvass*



It's all about the lines! Like an elegant dance, perfect choreographed, Four<sup>®</sup> Me complements any setting with the organic, calm shapes. Four<sup>®</sup> Me 88 is designed to suit any meeting or dining table. It offers high comfort and the surface has a fantastic smooth touch due to the bio-composite.

## Models:

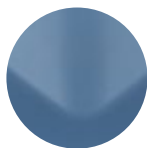
**Shell:** Bio composite with wood fibre



**ANTRACIT BIO**  
NCS S9000-N



**BEACH BIO**  
NCS S 2502-Y



**AQUA BIO**  
NCS S4020-B



**BLACK BIO**  
RAL 7016

**Upholstery :** No upholstery / Seat Pad / Inside upholstery / Fully upholstered

**Frame :** Chrome (III) / Mat white (RAL9010) / Mat black (RAL 9005) / Mat Grey (RAL7039)

**Accessories :** Felt glides

# Four<sup>®</sup> Me 88

*Design: Strand & Hvass*

## Materials:

### Shell

Bio Composite: WPC with wood fibre (min. 20 %). Recyclable. Meets the RoHS and REACH directives and are halogenfree.

Foam: Type CMHR-65H eco-tex standard 100 and The Furniture and Furnishings (Fire) (Safety) Amended Regulations 1989 Schedule 1, Part 1.

Glue Foam: SABA Activator 3739, Aquabond RSD 3801 blue.

Foam thickness: seat 15 mm. Inside upholstery 15 mm. Fully upholstery 20/10/5 mm.

### Frame, steel

Frame: Tube: Ø16 x 2, Ducol 500.

Ferrule: PA

Lock: ABS

About 50 per cent of the total EU steel production is delivered from recycled steel.

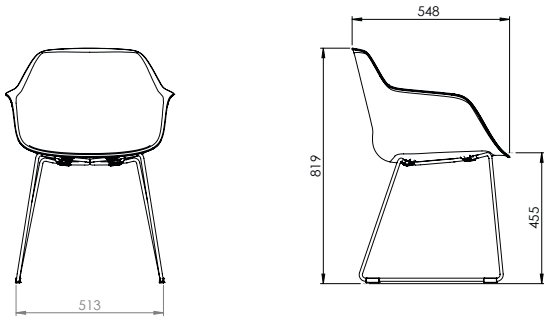
## Dimensions:

Weight: 5,9 kg.

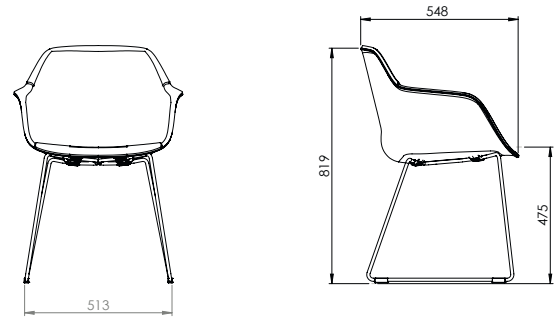
Dimensions are valid for chairs in Bio Composite and without upholstery.

# Four<sup>®</sup> Me 88

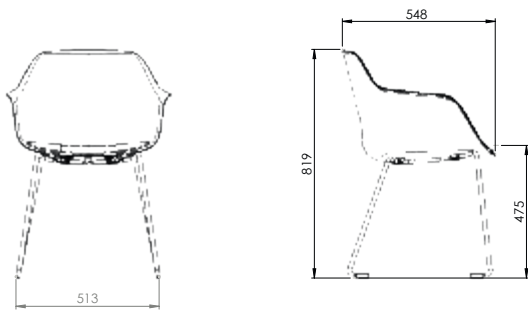
Design: Strand & Hvass



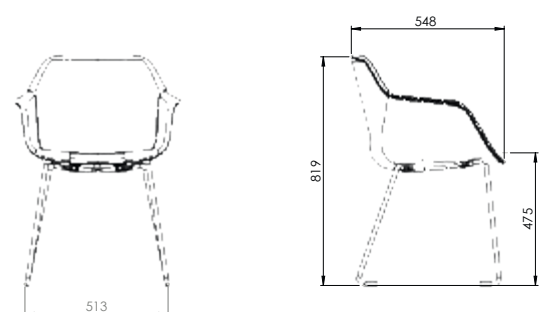
Four Me 88



Four Me 88, inside upholstery



Four Me 88, seat pad



Four Me 88, fully upholstered

# Four<sup>®</sup> Me 88

*Design: Strand & Hvass*

## ISO14001:

We are aware of our environmental responsibilities. We strive towards a minimal burden in the internal and external environment. The internal environment is evaluated through a careful examination of components and materials used in the production manufacturing processes. The external environment is monitored through laws and regulations.

It is important to Four Design that our suppliers abide to the environmental laws regarding production and handling of waste materials. It is our goal to always use environmentally friendly raw materials.

Four Design A/S can document our commitment to the environment. We have been awarded the Miljøforum Fyn's Environment Diploma and obtained the ISO14001 certificate in 2011.

## Recycling:

**General:** The chair can be separated into parts.

**Metal parts:** can be disposed and recycled by an approved environment and raw materials organization.

Lacquered frames are treated with a paint classified as not dangerous according to directive 1999/45/EF.

**Shells:** Can be recycled. The shell will be granulated and reused in new seat shell production.

**Upholstery** is not recyclable, must be disposed of in the incinerator.

## Maintenance:

We kindly refer to our Maintenance Guide:

[http://www.fourdesign.dk/pdf/FourDesign\\_Cleaning.pdf](http://www.fourdesign.dk/pdf/FourDesign_Cleaning.pdf)

## Tests:

Bio Composite: ZEK / 01.2-08, Testing and Validation of Polycyclic Aromatic Hydro-carbons (PAH).

All products from Four Design are PVC-free.

## Warranty:

Four Design provides an extended warranty of 5 years on all products in our official price list.

**The warranty covers breakage of frames and damage occurred because of deficient craftsmanship performance under normal use.**

The warranty shall lapse if the product shows signs of mishandling abuse or other physical damage. The warranty does not cover those parts of the product which are exposed to abrasion during use.