

Four® Stools

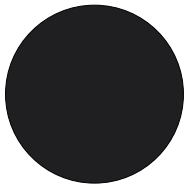
EN

Design: Strand + Hvass

Shell colour

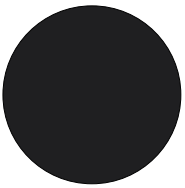


OAK VENEER

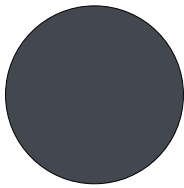


BLACK STAINED
OAK

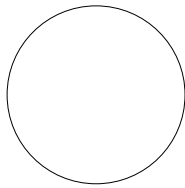
Frame colour



MAT BLACK



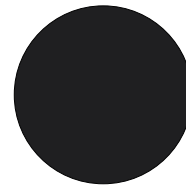
MAT GREY



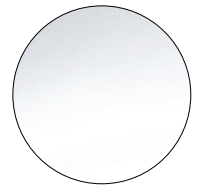
MAT WHITE



OAK



BLACK STAINED
OAK



CHROME

Options

Upholstery: Partly upholstery / Fully upholstery

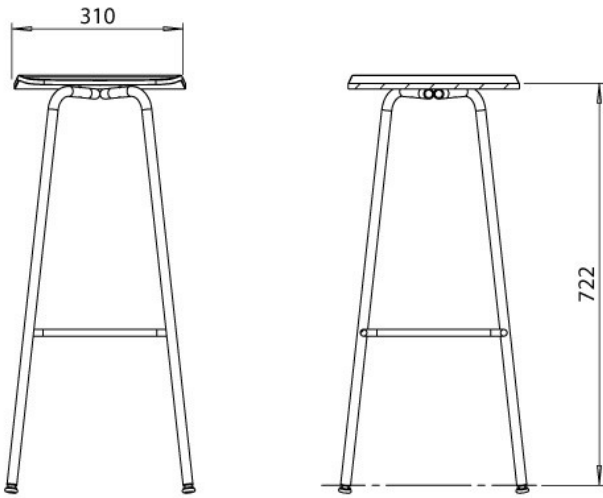
Glides: Felt

Four® Stools

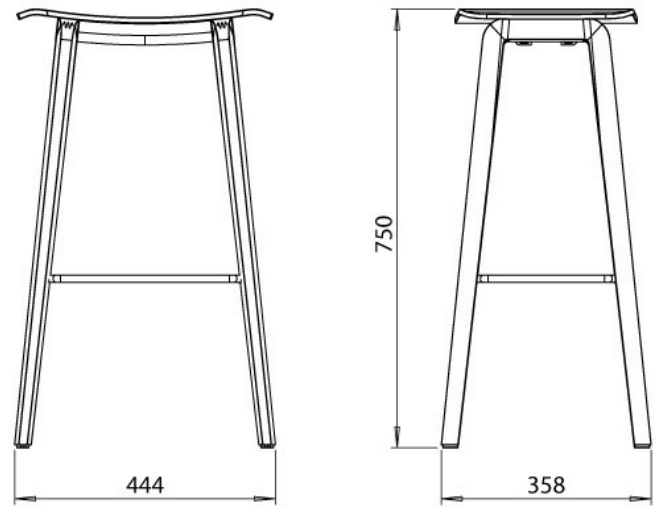
EN

Design: Strand + Hvas

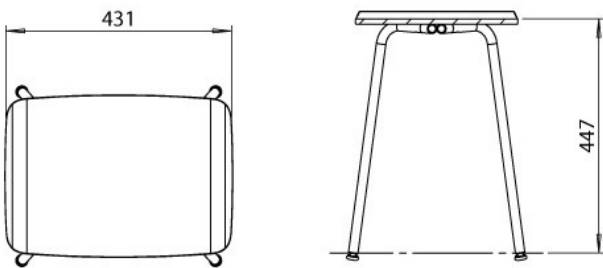
Four Stool 105, Steel frame



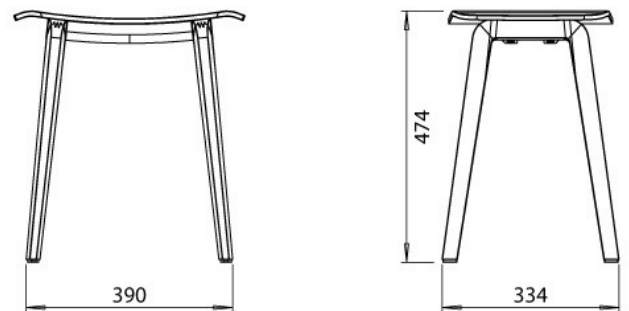
Four Stool 105, Wooden frame



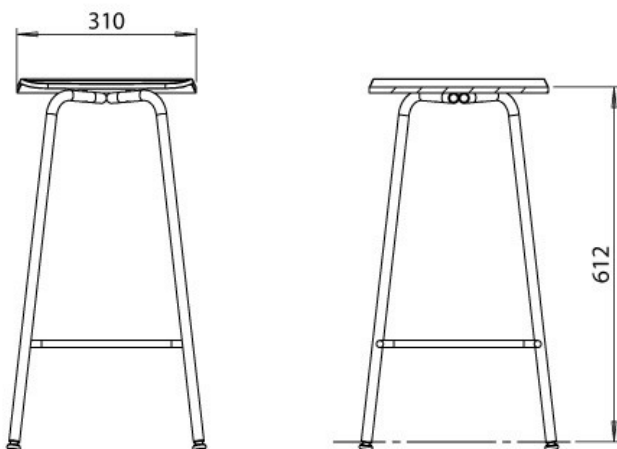
Four Stool 74, Steel frame



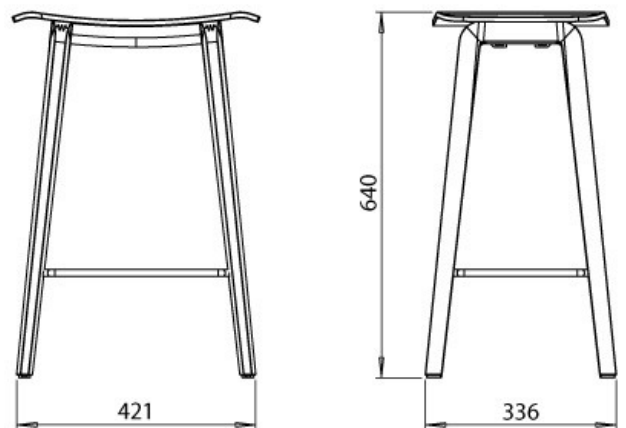
Four Stool 74, Wooden frame



Four Stool 90, Steel frame



Four Stool 90, Wooden frame



Design: Strand + Hvas

Materials

Shell

Oak veneer.

Meets the RoHS and REACH directives and are halogen free.

Upholstered shell: 9-11 layer veneer beechwood (10 mm).

Glue veneer: Casco Adhesive 1272.

Foam: Type CMHR-65H eco-tex standard 100. Complies with the REACH and RoHS directives, and The Furniture and Furnishings (Fire) (Safety)

Amended Regulations 1989 Schedule 1, Part 1.

Glue Foam: SABA Activator 3739, Aquabond RSD 3801 blue.

Foam thickness:

Partly upholstery: 35 mm.

Fully upholstered: 40 mm.

Frame, Steel

Tube, steel: \varnothing 22 x 2 mm, EN10305-3, E195

Glides (standard): PE

Frame, Wood

Mat oiled oak / Black stained oak

Glides: PE

Weight and dimensions

Dimensions:

Steel frame:

H45 - 2,86 kg

H90 - 4,45 kg

H105 - 4,54 kg

Wooden frame:

H45: 2,69 kg

H90: 3,97 kg

H105: 4,23 kg

Dimensions are valid for stools w/o upholstery.

*We kindly refer to our price list for dimensions on other models.

Quality and environment

At Four Design, we are aware of our environmental responsibility.

We strive to reduce our company, and our customer's impact on the environment by producing quality furniture in a sustainable manner.

Procurement

We procure materials from responsible suppliers who comply with our high standards, ensuring that the materials are sustainably sourced and managed, conforming to applicable laws and regulations such as legal logging and chemical restrictions.

Production

We are ISO14001 certified, guaranteeing excellent environmental standards of our manufacturing sites.

Use

Four Design provides a 5-year warranty on all products within our price list. This warranty covers breakage and damage of products occurring because of deficient craftsmanship performance under normal use. The warranty shall lapse if the product shows signs of mishandling abuse or other physical damage. The warranty does not cover those parts of the product which are exposed to abrasion during use.

We kindly refer to our Maintenance Guide: http://www.fourdesign.dk/pdf/Maintenance_Guide.pdf

Recycling

We are working towards the aim for all our products to be minimum 95% recyclable.

Products must be separated into their components and disposed of separately.

All metal parts can be disposed of and recycled by an approved organisation. Lacquered frames are treated with a paint classified as not dangerous according to directive 1999/45/EF.

Wood can either be recycled or incinerated.

Plastic shells can be recycled. The shell will be granulated and reused in new plastic production.

Upholstery and veneer shells are not recyclable but can be disposed of by incineration.