

Four Us[®] Corner

Design Anders Nørgaard



Need a break? Designed for privacy and comfort, Four Us[®] Corner is an aesthetic corner sofa that provides the perfect spot for the coffee break, encourages social interaction, or creates the best frames for an informal meeting.

Whether placed against a wall or in the middle of a larger room, the high backs of Four Us[®] Corner form a room inside the room and thus create little oases of peace in different areas of the building. The sense of privacy is ensured by the ears of the sofa which create the warm and cosy enclosure needed for a calm retreat in a comfortable environment.

Models

Four Us[®] Corner Ear, Extension

Frame: 4-legged, skid frame

Accessories: Skid frame, magazine rack



Four Us[®] Corner

Design Anders Nørgaard

Materials

Frame: Pine

Ferrule: PE

Plate: Masonite plates and plywood

Frame: S235, RAL 7021, Black

Foam:

All sides: HR 3030, 5 mm. Seat: down foam RF 5060 GR, 60/30 mm.

Upper foam: RF 4040, 30/60 mm, Top surface: HR 35120, 20 mm.

Back: HR 3030, 5 mm.

Cushion: HR 2520, 165/56 mm.

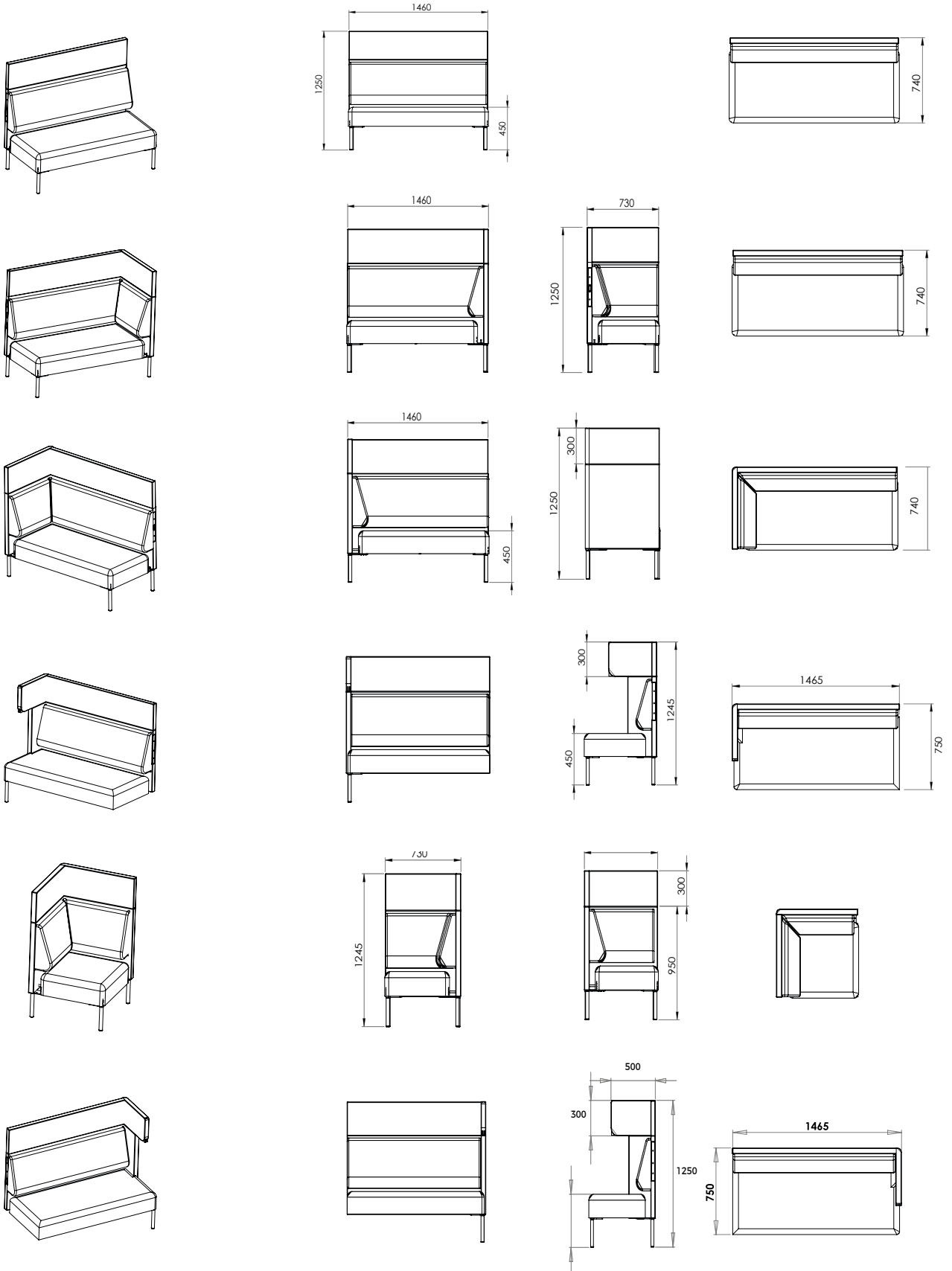
Extension: HR 3030, 5 mm.

Ear: HR 3030, 5 mm.



Four Us[®] Corner

Design Anders Nørgaard



Four Us[®] Corner

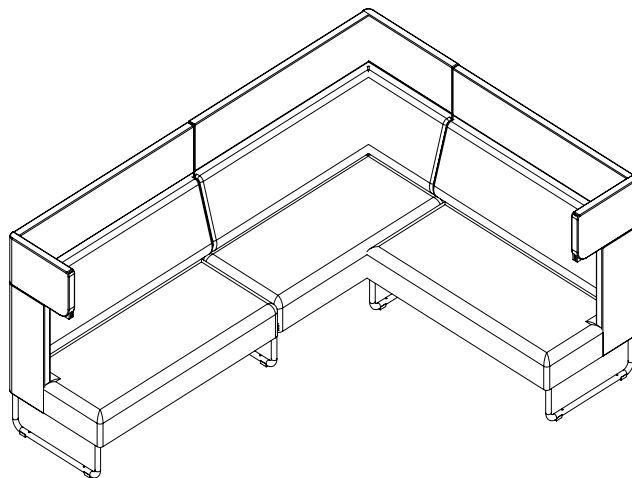
Design Anders Nørgaard



Skid frame

Steel 235, Black ruf (RAL 7021)

Measurements: 718 x 149 x 250 mm



Four Us[®] Corner

Design Anders Nørgaard

ISO14001

We are aware of our environmental responsibilities. We strive towards a minimal burden in the internal and external environment. The internal environment is evaluated through a careful examination of components and materials used in the production manufacturing processes. The external environment is monitored through laws and regulations.

It is important to Four Design that our suppliers abide to the environmental laws regarding production and handling of waste materials. It is our goal to always use environmentally friendly raw materials.

Four Design A/S can document our commitment to the environment.

We have been awarded the Miljøforum Fyn's Environment Diploma and obtained the ISO14001 certificate in 2011.

Recycling

In general: The modules can be separated in to components, tree and metal.

Metal parts: All metal parts of Four®Design sofas can be recycled by an approved environment and raw materials organisation.

Parts in powder coating is classified as 'not dangerous to the environment'.

Wood, fabric & foam are non-recyclable parts and are disposed properly by combustion.

Maintenance

We kindly refer to our Maintenance Guide:
http://www.fourdesign.dk/pdf/FourDesign_Cleaning.pdf

Tests

PolysHELLS: ZEK / 01.2-08, Testing and Validation of Polycyclic Aromatic Hydro-carbons (PAH).
All products from Four Design are PVC-free.

Warranty

Four Design provides an extended warranty of 5 years on all products in our official price list. The warranty covers breakage of frames and damage occurred because of deficient craftsmanship performance under normal use. The warranty shall lapse if the product shows signs of mishandling abuse or other physical damage. The warranty does not cover those parts of the product which are exposed to abrasion during use.

