

# Four<sup>®</sup>Sure 66

*Design: Strand & Hvass / Concept: Four Design*

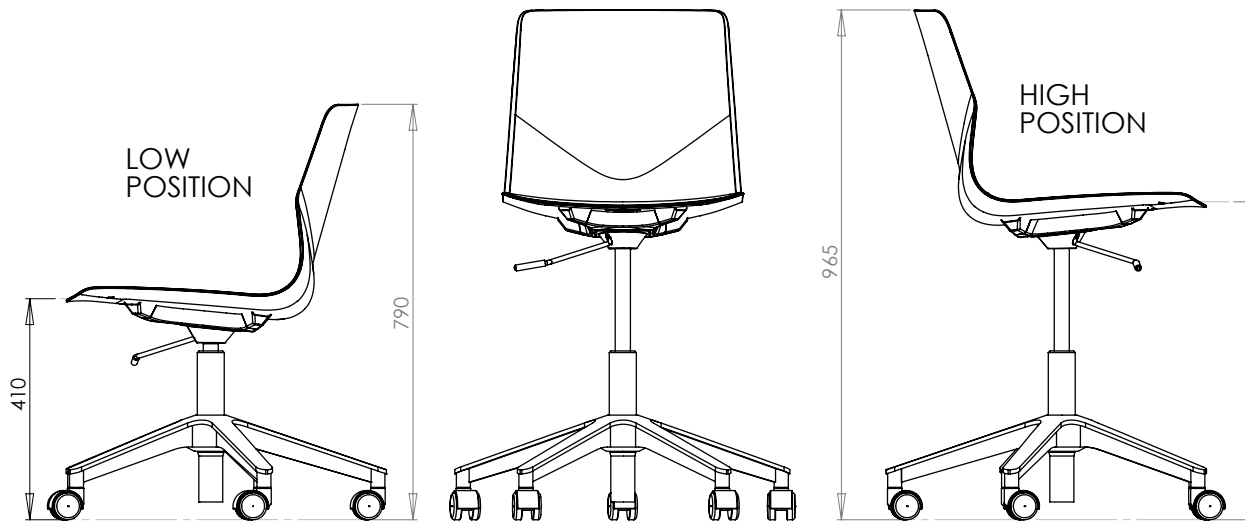


Four<sup>®</sup>Sure 66 is an elegant and robust chair with castors or optional glides. The chair is extremely comfortable thanks to its unique V-shape flexible back, organic curves and tilt mechanism in the seat.

When equipped with the Inno<sup>®</sup>Tab writing tablet, Dashboard and Hanging Compartment, Four<sup>®</sup>Sure 66 becomes the perfect collaborative working platform with space for phones, tablets and files. Four<sup>®</sup>Sure 66 is ideal for educational facilities, conference centres or office use.

# Four<sup>®</sup> Sure 66

Design: Strand & Hvass | Concept: Four Design



## Materials:

Polyshell: PP, glassfibre reinforced (15%), recyclable. Meets the RoHS and REACH directives and are halogenfree. Can be delivered in a 100% recycled material (color: black).

Colors: See this page. Other colors available on request.

Glue veneer: Casco Adhesive 1272.

Foam: Type CMHR-65H eco-tex standard 100. Complies with the REACH and RoHS directives, and The Furniture and Furnishings (Fire) (Safety) Amended Regulations 1989 Schedule 1, Part 1.

Glue Foam: SABA Activator 3739, Aquabond RSD 3801 blue.

Frame: Tube: Ø16 x 2, Ducol 500.

Ferrule: PA

Foam thickness: seat 15 mm, inside uph. 15 mm.

Gas lift: St. 37

Lock: ABS/Pa6

## Dimensions:

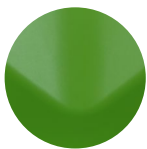
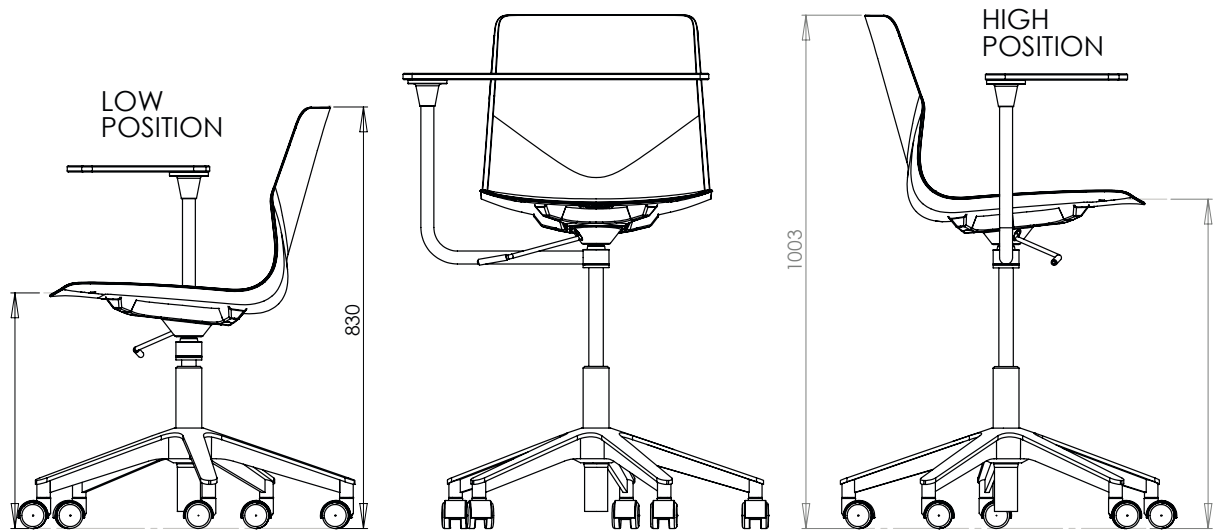
Weight: 7.4 kg. With Inno<sup>®</sup>Tab: +4 kg.

Dimensions are valid for chairs with polyshell w/o upholstery.

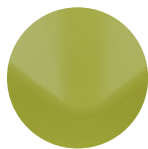
\*We kindly refer to our price list for dimensions on other models.

# Four<sup>®</sup> Sure 66

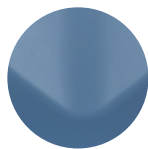
Design: Strand & Hvass | Concept: Four Design



**JUNGLE GREEN**  
NCS 4050-G40Y



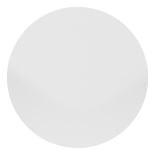
**OLIVE**  
NCS S2040-G80Y



**AQUA**  
NCS S4020-B



**ANTRACIT**  
NCS S9000-N



**SNOW**  
RAL 9010



**BLACK**  
RAL 7016



**ORIENTAL RED**  
NCS S 1580-R



**ORANGE**  
NCS S 2070-Y70R



**BEACH**  
NCS S 2502-Y

## Models:

**Shell:** Polypropylene

**Upholstery:** No upholstery / Seat upholstery  
/ Inside upholstery

**Frame:** Aluminium / Black

## Accessories:

- Grip hole
- Loop armrest
- Hook (bags/jacket)
- Inno<sup>®</sup>Tab
- Cup&Coat Holder
- Compartment
- Dashboard
- Extra high gaslift

# Four<sup>®</sup>Sure 66

*Design: Strand & Hvass | Concept: Four Design*



## **Inno<sup>®</sup>Tab:**

Writing tablet for Four<sup>®</sup>Sure 66. Inno<sup>®</sup>Tab is mounted on Four<sup>®</sup>Sure 66 via a very strong steel construction.

Materials: Inno<sup>®</sup>Tab: 12 mm. compact laminate, white with black core.

Arm: Galvanised steel 37, powder coated black.

Dashboard: ABS, PA6+GF15.

Compartment: PA6

Cup & Coat: ABS.

Dimensions: 53 x 24 cm.

# Four<sup>®</sup> Sure 66

*Design: Strand & Hvass / Concept: Four Design*

## **ISO14001:**

We are aware of our environmental responsibilities. We strive towards a minimal burden in the internal and external environment. The internal environment is evaluated through a careful examination of components and materials used in the production manufacturing processes. The external environment is monitored through laws and regulations.

It is important to Four Design that our suppliers abide to the environmental laws regarding production and handling of waste materials. It is our goal to always use environmentally friendly raw materials. Four Design A/S can document our commitment to the environment.

We have been awarded the Miljøforum Fyn's Environment Diploma and obtained the ISO14001 certificate in 2011.

## **Recycling:**

General: The chair can be separated into parts.

Metal parts: can be disposed and recycled by an approved environment and raw materials organization. Lacquered frames are treated with a paint classified as not dangerous according to directive 1999/45/EF.

Poly shells: can be recycled. The shell will be granulated and reused in new seat shell production.

Upholstery is not recyclable, must be disposed of in the incinerator.

## **Maintenance:**

We kindly refer to our Maintenance Guide:  
[http://www.fourdesign.dk/pdf/FourDesign\\_Cleaning.pdf](http://www.fourdesign.dk/pdf/FourDesign_Cleaning.pdf)

## **Warranty:**

Four Design provides an extended warranty of 5 years on all products in our official price list.

The warranty covers breakage of frames and damage occurred because of deficient craftsmanship performance under normal use.

The warranty shall lapse if the product shows signs of mishandling abuse or other physical damage. The warranty does not cover those parts of the product which are exposed to abrasion during use.

## **Tests:**

Polyshells: ZEK / 01.2-08, Testing and Validation of Polycyclic Aromatic Hydro-carbons (PAH).  
All products from Four Design are PVC-free.

- Ansi/Bifma X 5.1 - 2011
- EN 16139 L2
- EN 13761
- EN 1021-1
- GS