

## FOUR SURE AUDI

Design: Strand+Hvass / Concept: Four Design

# CHAIRS

### Description:

Four<sup>®</sup>Sure Audi is the 'new black' in auditorium furnishing. Four<sup>®</sup>Sure Audi is designed to offer you the maximum comfort and ergonomic support thanks to the V-shaped back, the flexible shell and integrated tilt mechanism.

Adjust the patented, movable PC tablet for your individual use, and listen, learn, move, rest, teamwork in small groups - you can do it all with great comfort at all hours.

Four<sup>®</sup>Sure Audi is available in 6 attractive colors and it is possible to upgrade the chair with seat upholstery and Inno<sup>®</sup>Audi (PC Tablet) in two sizes.

### Models:

Shell: Polypropylene  
Upholstery: No upholstery / Seat upholstery  
Frame: Mat black (RAL 9005)

### Accessories:

- Inno<sup>®</sup>audi tablet, model B and C, incl. cup&coat holder.
- Free float (standard)
- Foot ring and extra height
- Return function
- Gaslift (seat height 46-53 cm.)

### Materials:

Polyshell: PP, glassfibre reinforced (40%), recyclable. Meets the RoHS and REACH directives and are halogenfree. Can be delivered in a 100% recycled material (color: black).

Colors: See this page. Other colors available on request.

Upholstered shell: 9-11 layer veneer beechwood (12 mm.), FSC certificate.  
Glue veneer: Casco Adhesive 1272.

Foam: Type CMHR-65H eco-tex standard 100. Complies with the REACH and RoHS directives, and The Furniture and Furnishings (Fire) (Safety) Amended Regulations 1989 Schedule 1, Part 1.

Glue Foam: SABA Activator 3739, Aquabond RSD 3801 blue.

Foam thickness: Seat upholstery: 15 mm. Fully upholstered: 25 mm. (seat) - 10 mm. (back).

Seat/Inside upholstery: Veneer beechwood, FSC certificate.

Foam: Type CMHR-65H eco-tex standard 100. Complies with the REACH and RoHS directives, and The Furniture and Furnishings (Fire) (Safety) Amended Regulations 1989 Schedule 1, Part 1.

Glue Foam: SABA Activator 3739, Aquabond RSD 3801 blue.

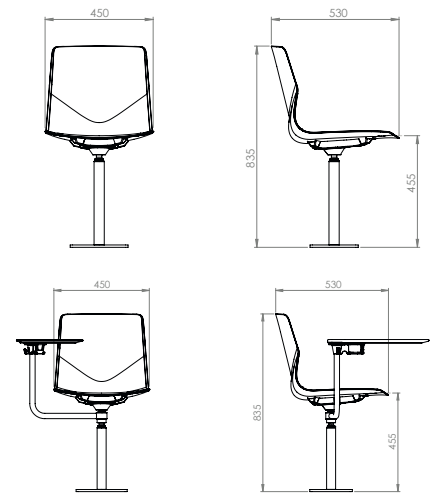
Frame: Tube: Ø16 X 2, Ducol 500.

Upholstery protector: PP

Inno<sup>®</sup>Audi: Laminated plywood, coated with Micro Power lacquer. Cup&Coat: ABS. Powder coated steel arm.

### Dimensions:

Dimensions are valid for chairs standard height with polyshell and seat upholstery. We kindly refer to our price list for dimensions on other models.



### Colors (polyshells):



### Inno<sup>®</sup>Audi:

Inno<sup>®</sup>Audi: surfaces: high pressure laminate



Table B: 25 x 59 cm. Table C: 22 x 47 cm.

## FOUR SURE AUDI

Design: Strand+Hvass / Concept: Four Design

# CHAIRS

### ISO14001:

We are aware of our environmental responsibilities. We strive towards a minimal burden in the internal and external environment. The internal environment is evaluated through a careful examination of components and materials used in the production manufacturing processes. The external environment is monitored through laws and regulations.

It is important to Four Design that our suppliers abide to the environmental laws regarding production and handling of waste materials. It is our goal to always use environmentally friendly raw materials.

Four Design A/S can document our commitment to the environment.  
We have been awarded the Miljøforum Fyn's Environment Diploma and obtained the ISO14001 certificate in 2011.

### Recycling:

General: The chair can be separated into parts.

Metal parts: can be disposed and recycled by an approved environment and raw materials organization. Lacquered frames are treated with a paint classified as not dangerous according to directive 1999/45/EF.

Poly shells: can be recycled. The shell will be granulated and reused in new seat shell production.

Upholstery: Foam can be recycled and reused for new foam products.  
Upholstery is not recyclable, must be disposed of in the incinerator.

### Maintenance:

We kindly refer to our Maintenance Guide.  
[http://www.fourdesign.dk/pdf/FourDesign\\_Cleaning.pdf](http://www.fourdesign.dk/pdf/FourDesign_Cleaning.pdf)

### Warranty:

Four Design provides an extended warranty of 5 years on all products in our official price list. The warranty covers breakage of frames and damage occurred because of deficient craftsmanship performance under normal use. The warranty shall lapse if the product shows signs of mishandling abuse or other physical damage. The warranty does not cover those parts of the product which are exposed to abrasion during use.

### Tests:

PolysHELLS: ZEK / 01.2-08, Testing and Validation of Polycyclic Aromatic Hydro-carbons (PAH).  
All products from Four Design are PVC-free.

Chair

- Fire Test: EN 1021-1

Inno<sup>®</sup>audi - surfaces (high pressure laminate):

- DS/INF. 132, 2002
- DS/EN 12720, 2009
- DS/EN 12722, 2009
- SIS 839117
- SS 83 91 22, 1981